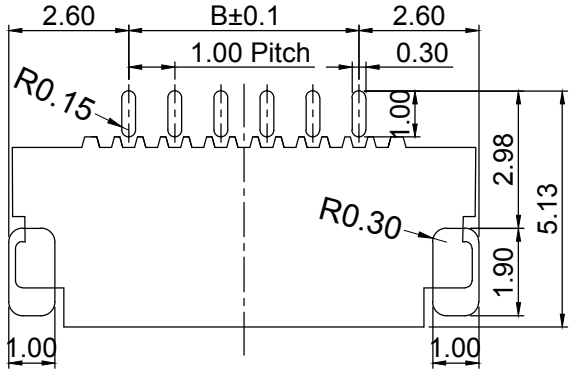
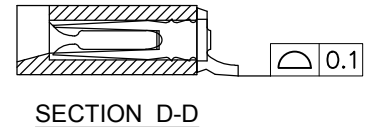
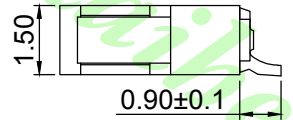
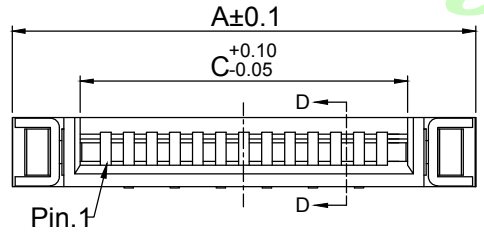
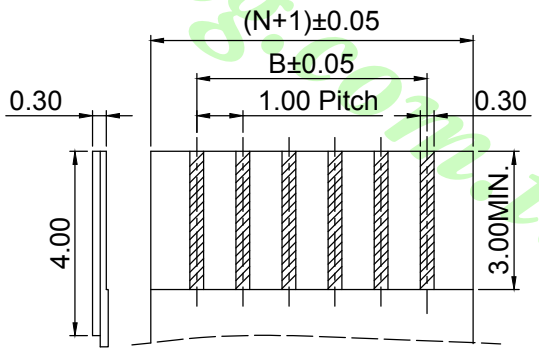


NOTE:  
 1.Material:  
 Housing: LCP, UL94-V0, Color: Natural.  
 Contacts: Brass, T=0.20.  
 Leg: Brass, T=0.20.  
 2.Plating:  
 Contacts: Tin Over Nickel.  
 Leg: Tin Over Nickel.  
 3.Rating:  
 Operatig Voltage: 50V AC/DC.  
 Current Rating: 0.5A AC/DC.  
 Operating Temperature: -40°C ~ +105°C.

4.PART NO:  
**LFPCGBL123-XXR-TAND-X**  
 1-ROHS 2-HALOGEN FREE  
 PLATING:TIN OVER NICKEL  
 PACKAGING  
 TA-EMBOSSED TAPE  
 RIGHT ANGLE(DOUBLE-FACE CONTACT)  
 NO.OF CONTACTS  
 SERIES NUMBER



Recommended P.C.B Layout



Applicable FPC

PIN NO.	Dimension		
	A	B	C
4P	8.03	3.00	5.07
5P	9.03	4.00	6.07
6P	10.03	5.00	7.07
7P	11.03	6.00	8.07
8P	12.03	7.00	9.07
9P	13.03	8.00	10.07
10P	14.03	9.00	11.07
11P	15.03	10.00	12.07
12P	16.03	11.00	13.07
13P	17.03	12.00	14.07
14P	18.03	13.00	15.07
15P	19.03	14.00	16.07
16P	20.03	15.00	17.07
17P	21.03	16.00	18.07
18P	22.03	17.00	19.07
19P	23.03	18.00	20.07
20P	24.03	19.00	21.07
21P	25.03	20.00	22.07
22P	26.03	21.00	23.07
23P	27.03	22.00	24.07
24P	28.03	23.00	25.07
25P	29.03	24.00	26.07
26P	30.03	25.00	27.07
27P	31.03	26.00	28.07
28P	32.03	27.00	29.07
29P	33.03	28.00	30.07
30P	34.03	29.00	31.07

公認/UNLESS OTHERWISE SPECIFIED TOLERANCES ARE			單位/Unit mm	品名/Title :
.X	±0.20	A0	比例/Scale	FPC1.0Pitch 1.5H SMD 直插式(小耳)双面接触 Non-ZIF
.XX	±0.15		Free	料號/Part No :
.XXX	±0.05		Size	LFPCGBL123-XXR-TAND-X
REV	日期/DATE	日期/DATE	A4	圖號/Drawing No :

**鍊亨電子有限公司**  
 LAI HENG TECHNOLOGY LTD.  
 TEL:(02) 8228-6487 FAX:(02) 8228-6486  
 核加/APPD. 7/4 審核/CHKD. Joe 製圖/DR. Mandy 張數/Sheet 1 of 1 REV. A0