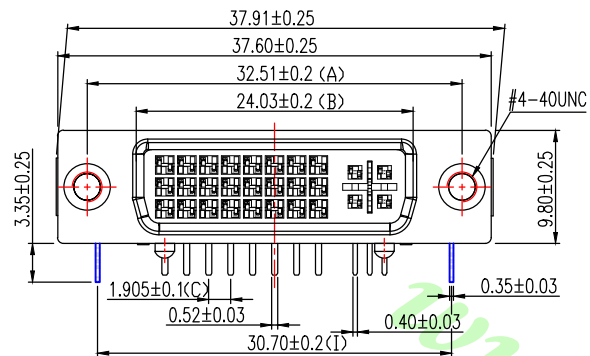


RoHS

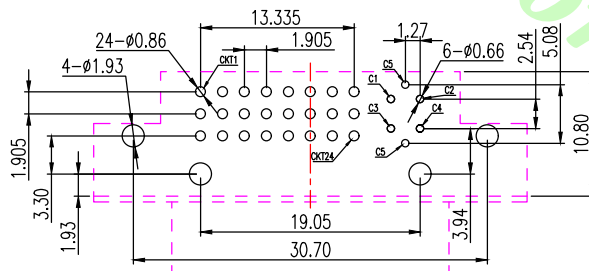
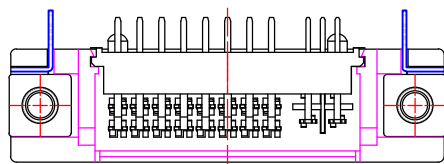
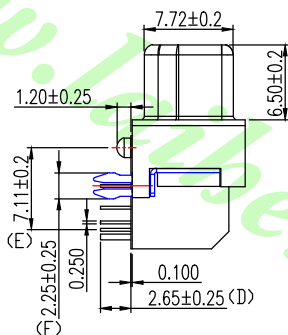
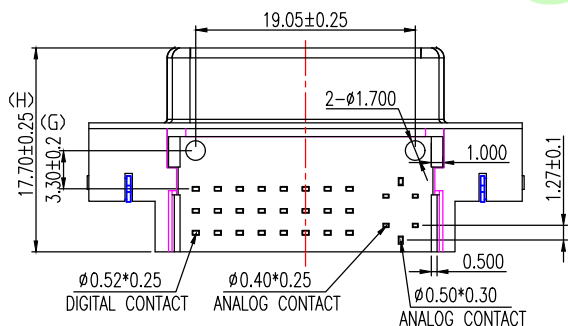


SPECIFICATIONS

1. DVI-I
- 1.1 Voltage: 40 VAC(RMS) Max.
- 1.2 Current Rating: 1.5 Ampere per Contact
- 1.3 Contact Resistance: 20 Milliohms Max.
- 1.4 Insulation Resistance: 1000 Megohms Min.
- 1.5 Dielectric Withstanding Voltage: 500V DC(RMS)
- 1.6 Total Mating Force: 4.5 Kgf Max.
- 1.7 Total Unmating Force: 1.0 Kgf Min.
- 1.8 Operating Temperature: -55°C to +85°C

NOTES

1. MATERIAL:
 - Housing:PBT, UL 94V-0, Color:Ivory.
 - Latch:PA66, UL 94V-0, Color:Ivory.
 - Terminal:Copper Alloy.
 - Shell:SPCC.
 - Boardlock:Steel.
 - Rivet:Copper Alloy.
2. FINISH:
 - Terminal:Selected Gold Plated in Contact Area, 100u" MIN. Tin Plated in Solder Area, 30u" MIN. Nickel Underplated Overall.
 - Shell:Nickel Plated 80u" MIN, Over Cu 50u" MIN.
 - Boardlock:Tin Plated 100u" MIN, Over Nickel 30u" MIN.
 - Rivet:Nickel Plated 60u" MIN, Overall.



RECOMMENDED P.C.B LAYOUT
INSPECTION DIMENSION:(A)~(H)

PART NO.
LDVI29-3 V4S1X22141N0

SERIES NO.

NUMBER OF POSITION
V2: 24-POSITION
V4: 29-POSITION

CONTACT STYLE
S: SOCKET

CONTACT MATERIALS
1: BRASS

CONTACT FINISH
1: G/F BRIGHT TIN
3: 15u" GOLD BRIGHT TIN
4: 30u" GOLD BRIGHT TIN

FRONT SHELL FINISH
1: TIN
2: NICKEL

INSULATOR MATERIALS
1: PBT
2: LCP
3: PA6T

COLOR STYLE
1: ALL BLACK
4: ALL IVORY

FLANGE MOUNTING OPTION
1: #4-40 THREADED HOLE
A: #4-40 THREADED HOLE WITH #4-40UNC SCREWLOCK INSTALLED (4.8x11.8)
B: #4-40 THREADED HOLE WITH #4-40UNC SCREWLOCK BULK-PACKED (4.8x11.8)
E: #4-40 THREADED HOLE WITH #4-40UNC SCREWLOCK INSTALLED (5.8x13.0)
F: #4-40 THREADED HOLE WITH #4-40UNC SCREWLOCK BULK-PACKED (5.8x13.0)

BOARD MOUNTING OPTION
0: NONE
2: 2-FINGER BOARDLOCK

			公差/UNLESS OTHERWISE SPECIFIED TOLERANCES ARE	單位/Unit mm	品名(Title):	鍊亨電子有限公司 LAI HENG TECHNOLOGY LTD. TEL:(02) 8228-6487 FAX:(02) 8228-6486					
			.00 = ± .25 .000 = ± .13 ANG. = ± 2°	比例/Scale Free	DVI-I Connector Right Angle 29P (S)						
A0	NEW DRAWING	2019.02.21		Size A4	料號/Part No:	圖號/Drawing No:	核准/APPD.	審核/CHKD.	製圖/DR.	張數/Sheet	REV.
REV	概述/REVISION	日期/DATE			LDVI29-3 V4S1X22141N0	DVI3V4S1X22141N0(002)	7/6	Joe	Mandy	1 of 1	A0