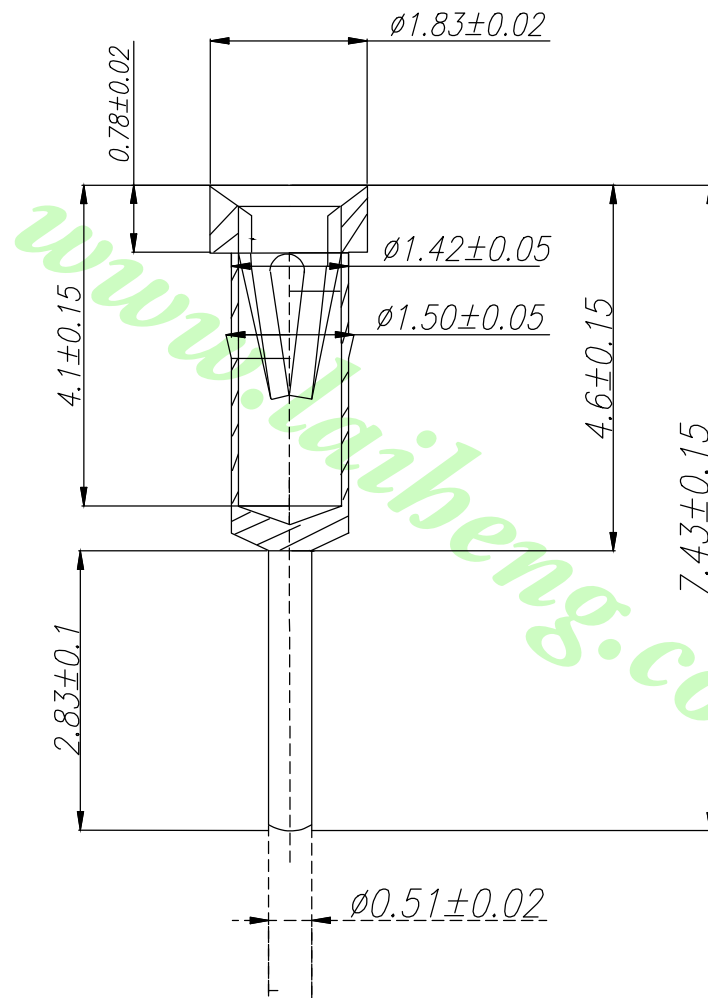


A1係指置入sleeve
前之原件尺寸,依實際
組裝後之圓孔pin尺寸為準.



Technical Data:

Material:

Pin (outer sleeve): Brass, machined, CuZn38pb2.

Tin plated: nickel/ 100~150u" Tin plated.

Clip (4 finger): Beryllium copper.

Gold plated: nickel plated/ full Gold-flashed(0.4u"~1u").

Electrical:

Current rating: 3 Amps / contact max.

Insulation resistance: > 1000 MΩ at V=100V.

Operating: 60 Veff.

Mechanical:

Operating temperature: Gold plated: -55°C to +125°C .

Tin plated: -40°C to +105°C .

Mechanical

Average insertion force with steel pin of $\phi 0.43\text{mm}/.017'' \leq 250\text{g}$

Average withdrawal force with steel pin of $\phi 0.43\text{mm}/.017'' \geq 25\text{g}$

Mechanical life/200 Minimum cycle


Part No.

LSIP254 - T

Terminal

Series NO.

(SIP Socket 2.54mm)

公認/UNLESS OTHERWISE SPECIFIED TOLERANCES ARE			單位/Unit mm	品名/Title :	 鍊亨電子有限公司 LAI HENG TECHNOLOGY LTD. TEL:(02) 8228-6487 FAX:(02) 8228-6486					
			比例/Scale	Machined Pin Terminal 4 Finger						
A0	NEW DRAWING	2018.08.16	Free	料號/Part No :	圖號/Drawing No :	核加/APPD.	審核/CHKD.	製圖/DR.	張數/Sheet	REV.
REV	概述/REVISION	日期/DATE	Size A4	LSIP254-T	T1-7.43	Joe	Joe	Mandy	1 of 1	A0