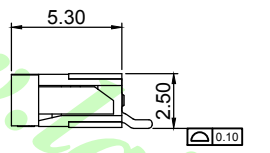
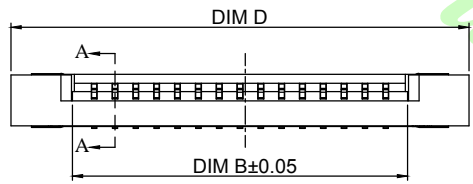
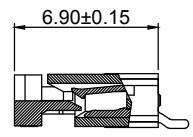


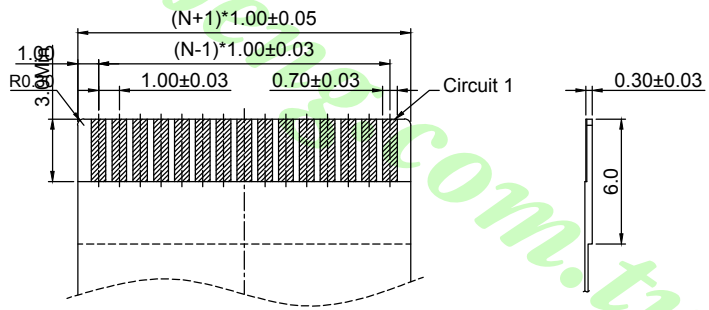
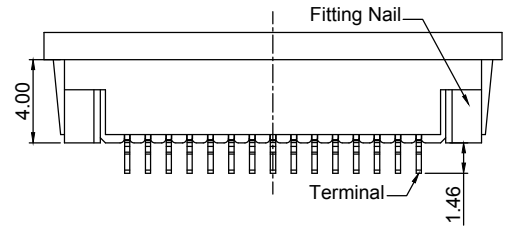
RECOMMENDED P.C.B PATTERN LAYOUT



SECTION A-A SCALE 1:1



SECTION A-A SCALE 1:1



RECOMMENDED FPC/FFC DIMENSION

MATERIAL

- 1.1 Housing: Thermoplastic High Temp. UL94V-0, Color: Natural.
- 1.2 Latch: Thermoplastic High Temp. UL94V-0, Color: Black.
- 1.3 Terminal: Copper alloy, t=0.25mm
- 1.4 Fitting Nail: Copper alloy, t=0.25mm

FINISH

- 2.1 Terminal: Underplating: Matt Tin Overall.
- 2.2 Fitting Nail: Underplating: Matt Tin Overall.

PIN	DIM, A	DIM, B	DIM, C	DIM, D
04	3.00	5.10	9.05	11.00
05	4.00	6.10	10.05	12.00
06	5.00	7.10	11.05	13.00
07	6.00	8.10	12.05	14.00
08	7.00	9.10	13.05	15.00
09	8.00	10.10	14.05	16.00
10	9.00	11.10	15.05	17.00
11	10.00	12.10	16.05	18.00
12	11.00	13.10	17.05	19.00
13	12.00	14.10	18.05	20.00
14	13.00	15.10	19.05	21.00
15	14.00	16.10	20.05	22.00
16	15.00	17.10	21.05	23.00
17	16.00	18.10	22.05	24.00
18	17.00	19.10	23.05	25.00
19	18.00	20.10	24.05	26.00
20	19.00	21.10	25.05	27.00
21	20.00	22.10	26.05	28.00
22	21.00	23.10	27.05	29.00
23	22.00	24.10	28.05	30.00
24	23.00	25.10	29.05	31.00
25	24.00	26.10	30.05	32.00
26	25.00	27.10	31.05	33.00
27	26.00	28.10	32.05	34.00
28	27.00	29.10	33.05	35.00
29	28.00	30.10	34.05	36.00
30	29.00	31.10	35.05	37.00

SERIES NO.	CONTACT TYPE	Pin no.	CONTACT PLATING	PACKAGE
LFPC-K815	U	XX	PT	1
FPC 1.0 Pitch ZIF R/A SMT conn.	U: Upper contact	04~30 pin	PT : PURE TIN G1 : Gold Flash	1:Tube 2:T&R

A0		NEW DRAWING	2018.06.18	公認/UNLESS OTHERWISE SPECIFIED TOLERANCES ARE .X ±0.35 .XX ±0.20 ANG. ±3°	單位/Unit mm 比例/Scale Free Size A4	品名/Title : FPC 1.0mm ZIF SMT R/A 2.5H Upper Contact Conn.	料號/Part No : LFPC-K815-U-XX-XX-X	圖號/Drawing No :
REV	概述/REVISION	日期/DATE						

鍊亨電子有限公司
LAI HENG TECHNOLOGY LTD.
TEL:(02) 8228-6487 FAX:(02) 8228-6486

核加/APPD. Joe	審核/CHKD. Joe	製圖/DR. Mandy	張數/Sheet 1 of 1	REV. A0
-----------------	-----------------	-----------------	--------------------	------------